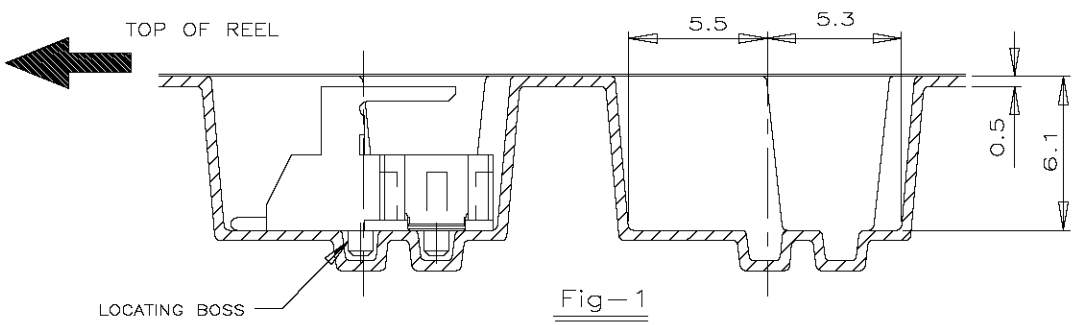
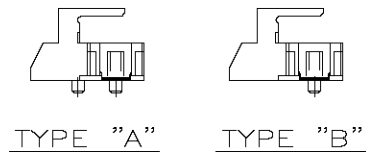


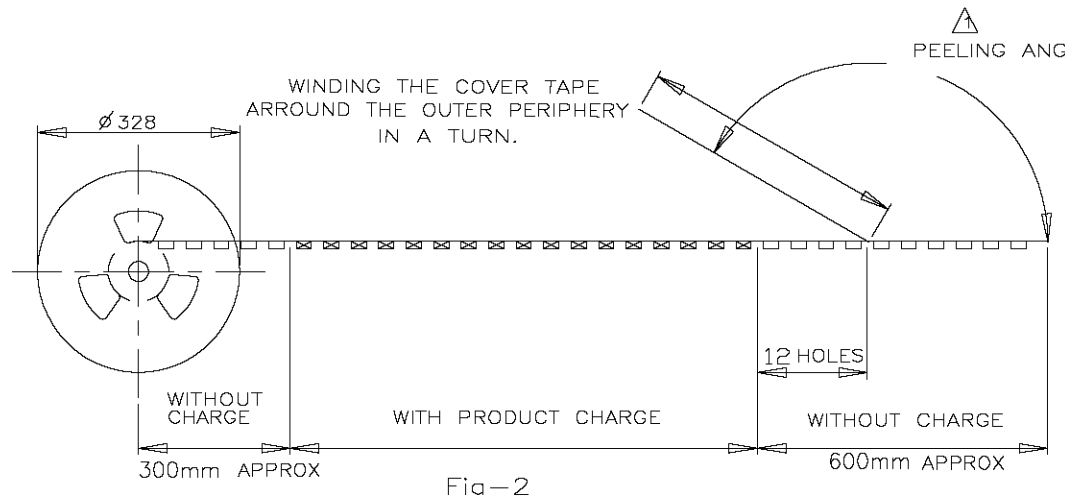
(AS SHOWN : 3P)



FOR 7P ONLY
 THREE KINDS OF DIFFERENT POCKETS AS 1 SET
 USED FOR 7P ONLY



NATURAL	WITH	B	20.2	44	24	500	9	1-292173-9
		B	20.2	44	22		8	1- -8
		B	14.2	32	20		7	1- -7
		B	14.2	32	18		6	1- -6
		B	11.5	24	16		5	1- -5
		B			14		4	1- -4
		A			12		3	1- -3
		A	11.5	24	10		2	1- -2
	BLACK		B	20.2	44	24		9
		B	20.2	44	22		8	0- -8
		B	14.2	32	20		7	0- -7
		B	14.2	32	18		6	0- -6
		B	11.5	24	16		5	0- -5
		B			14		4	0- -4
		A			12		3	0- -3
WITH		A	11.5	24	10	500	2	0-292173-2
COLOR		PLATE	TYPE OF BOSS	C	B	A	QTY/ REEL	Pos



THIS DRAWING IS A CONTROLLED DOCUMENT.		DWN	J.JIANG	23JAN03	 Tyco Electronics Corporation Shanghai, P.R.China,200233
DIMENSIONS: MM		CHK	S.YAO	23JAN03	
TOLERANCES UNLESS OTHERWISE SPECIFIED:		APVD	T.SASAKI	23JAN03	
0 PLC ± 1 PLC ± 2 PLC ± 3 PLC ± 4 PLC ± ANGLES ±		PRODUCT SPEC	NAME		
MATERIAL		FINISH		WEIGHT	ON TAPING (EMBOSS) AMP CT CONNECTOR POST HEADER ASS'Y (BOX-H SMT TYPE W/BOSS & TAIL)
TOLERANCE UNLESS OTHERWISE SPECIFIED: 10>* :±0.2 30>* >10 :±0.25 100>* >30 :±0.3 ANGLE :±3°		NOTES: 1 PEELING RESISTANCE : 0.196N-0.686N (20gf-70gf) SPEED : 300mm/min		SIZE A3 CAGE CODE 00779 DRAWING NO ©=292173 RESTRICTED TO -	
AMP 1470-19 REV 31MAR2000 09DEC2002 11:30am FB001075		CUSTOMER DRAWING		SCALE	SHEET 1 OF 6 REV C

(AS SHOWN : 3P)

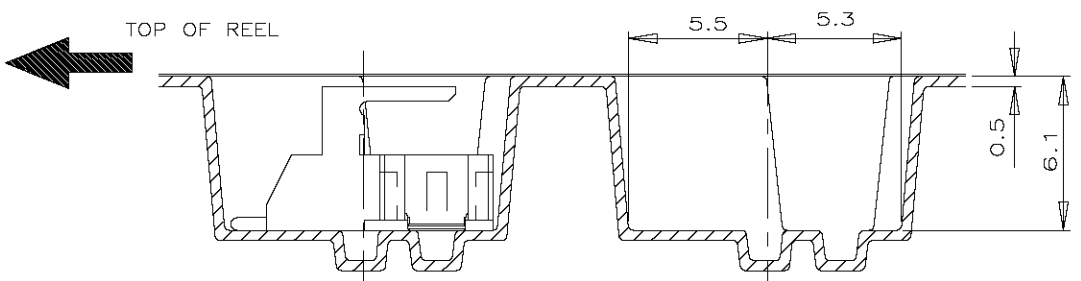
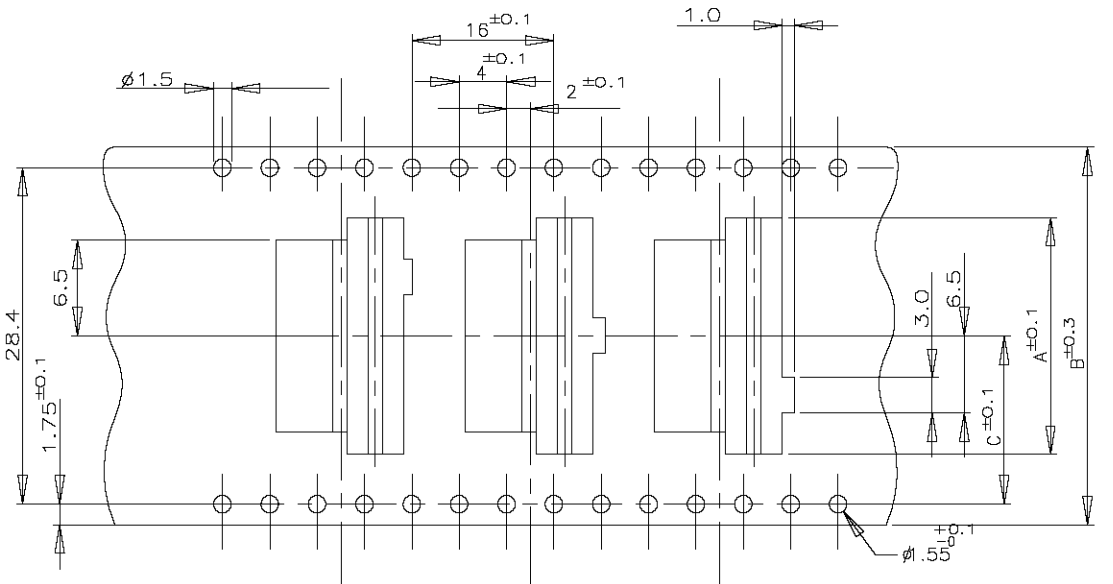
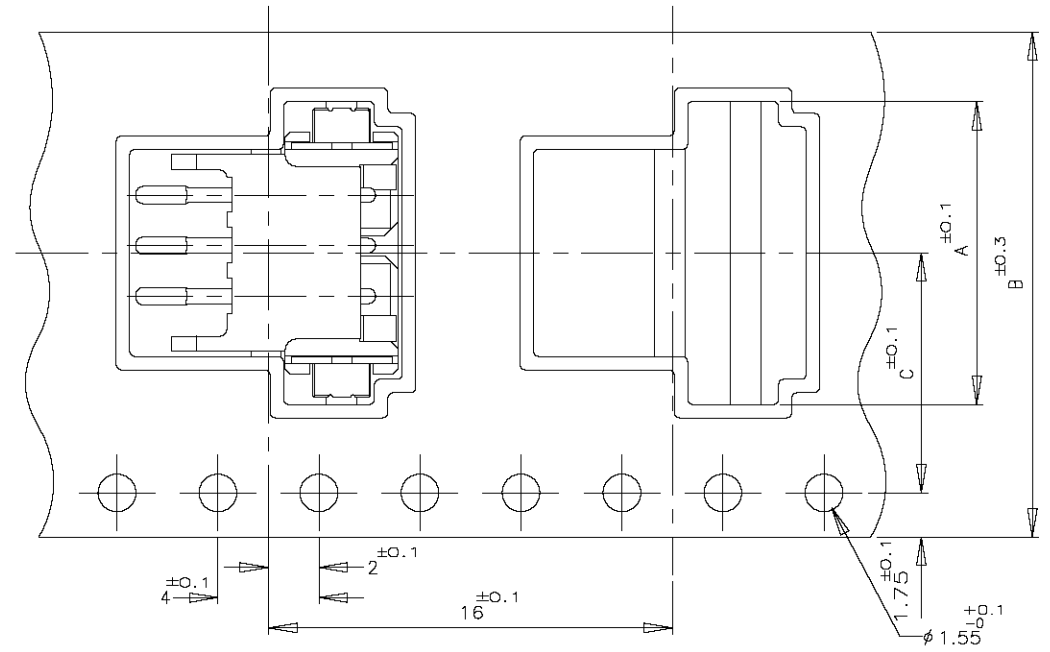


Fig-1

FOR 7P ONLY
 THREE KINDS OF DIFFERENT POCKETS AS 1 SET
 USED FOR 7P ONLY

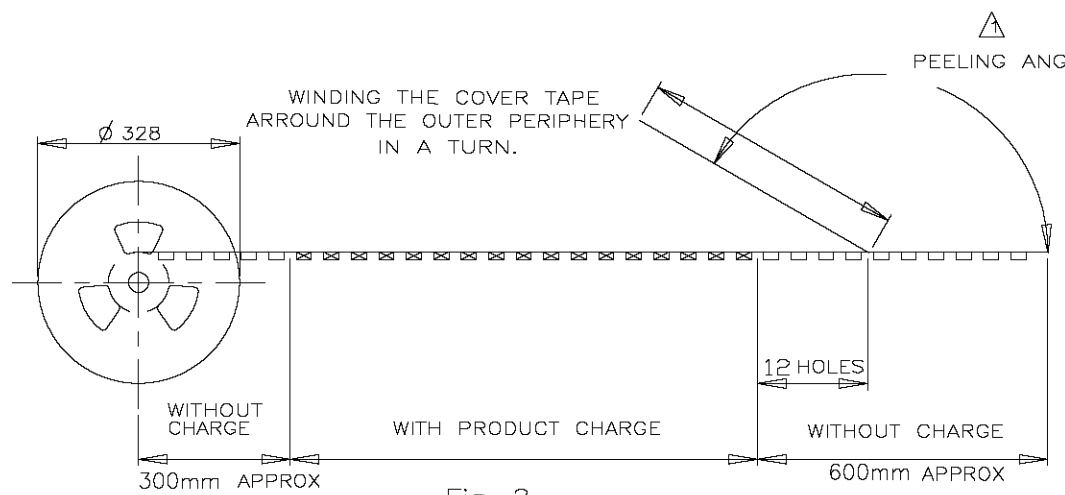
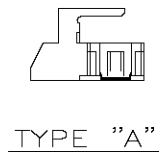


Fig-2

TOLERANCE UNLESS OTHERWISE SPECIFIED:

10 > *	: ±0.2
30 > * > 10	: ±0.25
100 > * > 30	: ±0.3
ANGLE	: ±3°

NOTES:
 ▲ PEELING RESISTANCE : 0.196N-0.686N (20gf-70gf)
 SPEED : 300mm/min

THIS DRAWING IS A CONTROLLED DOCUMENT.		DWN
DIMENSIONS: MM		CHK
TOLERANCES UNLESS OTHERWISE SPECIFIED:		APVD
0 PLC	±	PRODUCT SPEC
1 PLC	±	APPLICATION SPEC
2 PLC	±	WEIGHT
3 PLC	±	
4 PLC	±	
ANGLES	±	
MATERIAL	FINISH	

NATURAL	WITH	A	20.2	44	24	500	9	3-292173-9
	▲	A	20.2	44	22	▲	8	3-▲-8
		A	14.2	32	20		7	3-▲-7
		A	14.2	32	18		6	3-▲-6
		A	11.5	24	16		5	3-▲-5
		A	▲	▲	14		4	3-▲-4
		A			12		3	3-▲-3
		A	11.5	24	10		2	3-▲-2
	BLACK		A	20.2	44	24		9
		A	20.2	44	22		8	2-▲-8
		A	14.2	32	20		7	2-▲-7
		A	14.2	32	18		6	2-▲-6
		A	11.5	24	16		5	2-▲-5
		A	▲	▲	14		4	2-▲-4
		A			12		3	2-▲-3
WITH		A	11.5	24	10	500	2	2-292173-2
COLOR		PLATE	TYPE OF BOSS	C	B	A	QTY/REEL	Pos

tyco Electronics Tyco Electronics Corporation
 Shanghai, P.R.China,200233

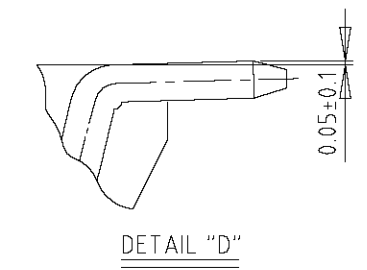
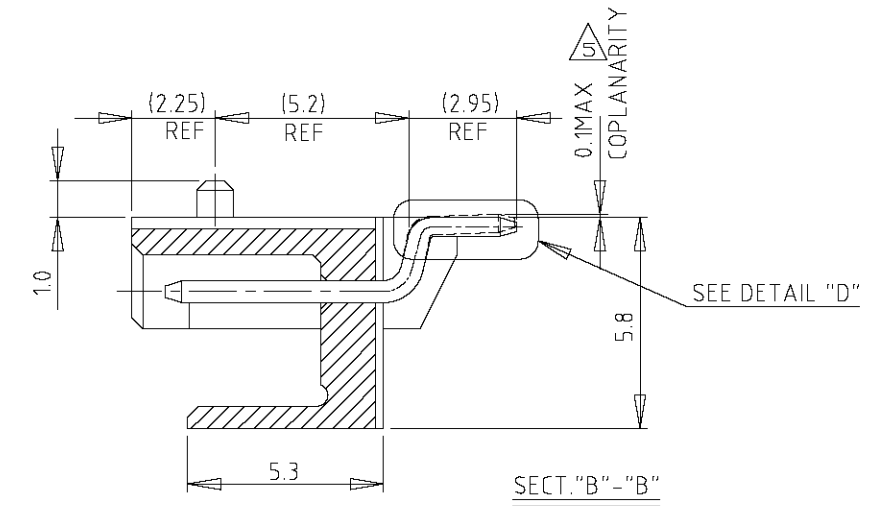
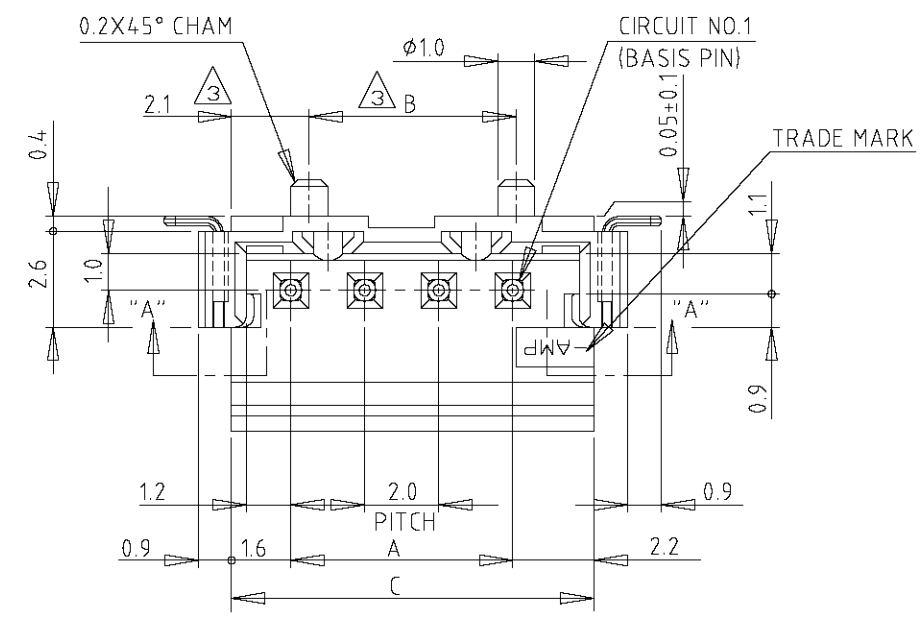
NAME: ON TAPING (EMBOSS)
 AMP CT CONNECTOR POST HEADER ASS'Y
 (BOX-H SMT TYPE W/O BOSS & W/ TAIL)

SIZE: A3 CAGE CODE: 00779 DRAWING NO: ©=292173 RESTRICTED TO: -

CUSTOMER DRAWING SCALE: // SHEET: 2 OF 6 REV: C

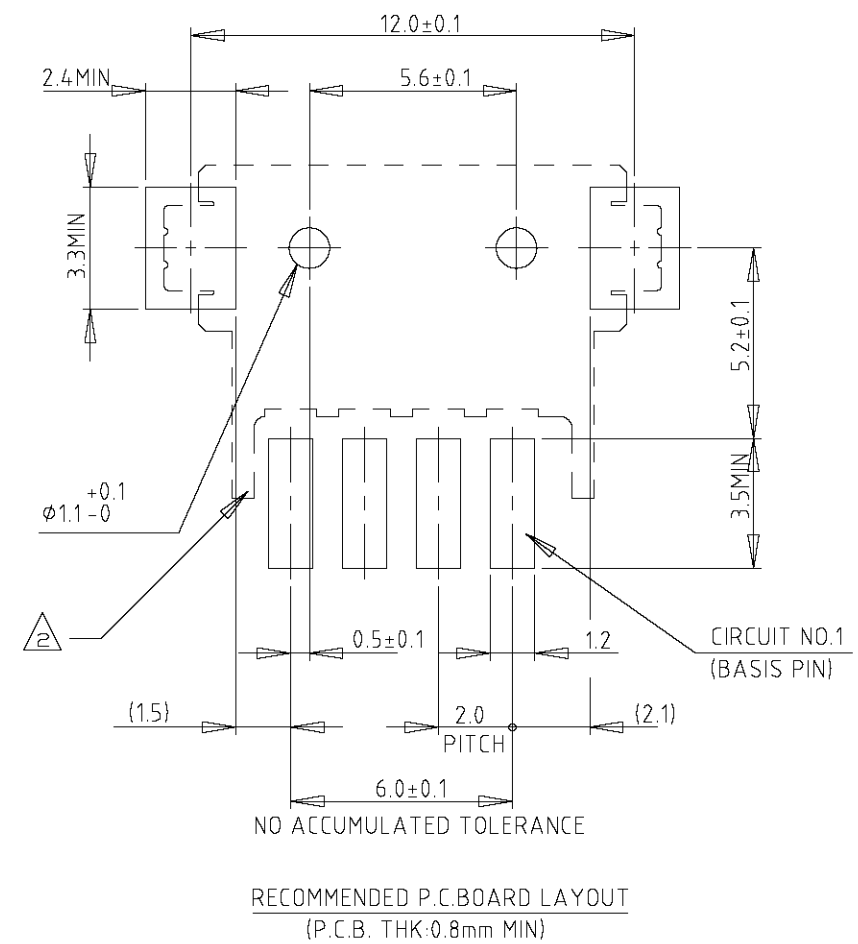
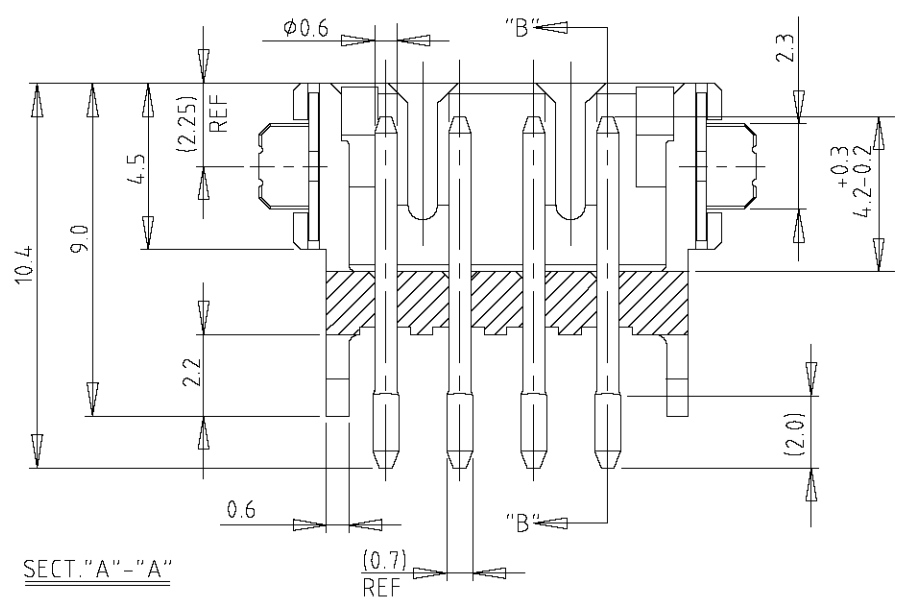
THIS DRAWING IS UNPUBLISHED. RELEASED FOR PUBLICATION
 © COPYRIGHT BY TYCO ELECTRONICS CORPORATION. ALL RIGHTS RESERVED.

LOC	DIST	REVISIONS					
ES	00	P	LTR	DESCRIPTION	DATE	DWN	APVD
		-	-	SEE SHEET 1	-	-	-

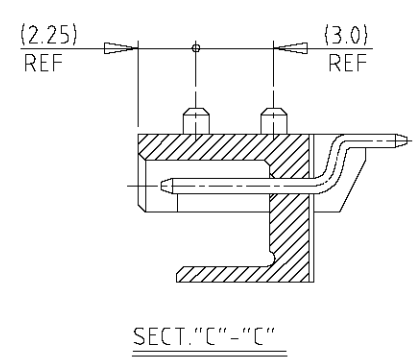
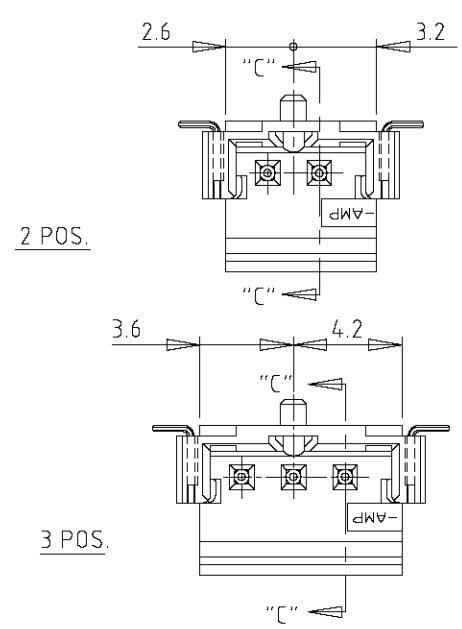


(AS SHOWN : -4)

- NOTES:
1. MATERIAL:HSG-6T PA(G.F.30%)(UL94V-0)
 COLOR:BLACK ,NATURAL
 POST: TIN BRASS
 TAIL: TIN BRASS
 - 2 OCCUPANT AREA ON PC BOARD
 - 3 4P& ABOVE POS.
 - 4 2P&3P
 - 5 TO BE MEASURED WITH CONNECTOR PLACED ON HORIZONTAL DATUM SURFACE ,FLOAT OF SOLDER TINE AND TAIL FROM DATUM SURFACE IS 0.1mm MAX



16.0	15.6	19.8	22.0	9	1-292173-9	292173-9
14.0	13.6	17.8	20.0	8	1- -8	-8
12.0	11.6	15.8	18.0	7	1- -7	-7
10.0	9.6	13.8	16.0	6	1- -6	-6
8.0	7.6	11.8	14.0	5	1- -5	-5
6.0	5.6	9.8	--	4	1- -4	-4
4.0	--	7.8	--	3	1- -3	-3
2.0	--	5.8	--	2	1-292173-2	292173-2
A	B	C	D	Pos.	NATURAL	BLACK
						P/N



TOLERANCES UNLESS OTHERWISE SPECIFIED:
 10≥x : ± 0.2
 30≥x>10 : ± 0.25
 100≥x>30 : ± 0.3
 ANGEL : ± 3°

THIS DRAWING IS A CONTROLLED DOCUMENT.		DWN	-
DIMENSIONS: MM		CHK	-
TOLERANCES UNLESS OTHERWISE SPECIFIED:		APVD	-
0 PLC	± -	PRODUCT SPEC	108-60016
1 PLC	± -	APPLICATION SPEC	-
2 PLC	± -	WEIGHT	-
3 PLC	± -	CUSTOMER DRAWING	-
4 PLC	± -	SCALE	5:1
ANGLES	± -	SHEET	3 OF 6
MATERIAL	SEE NOTE	REV	C
FINISH	SEE NOTE		

tyco Electronics Tyco Electronics Corporation
 SHANGHAI, CHINA, 200233

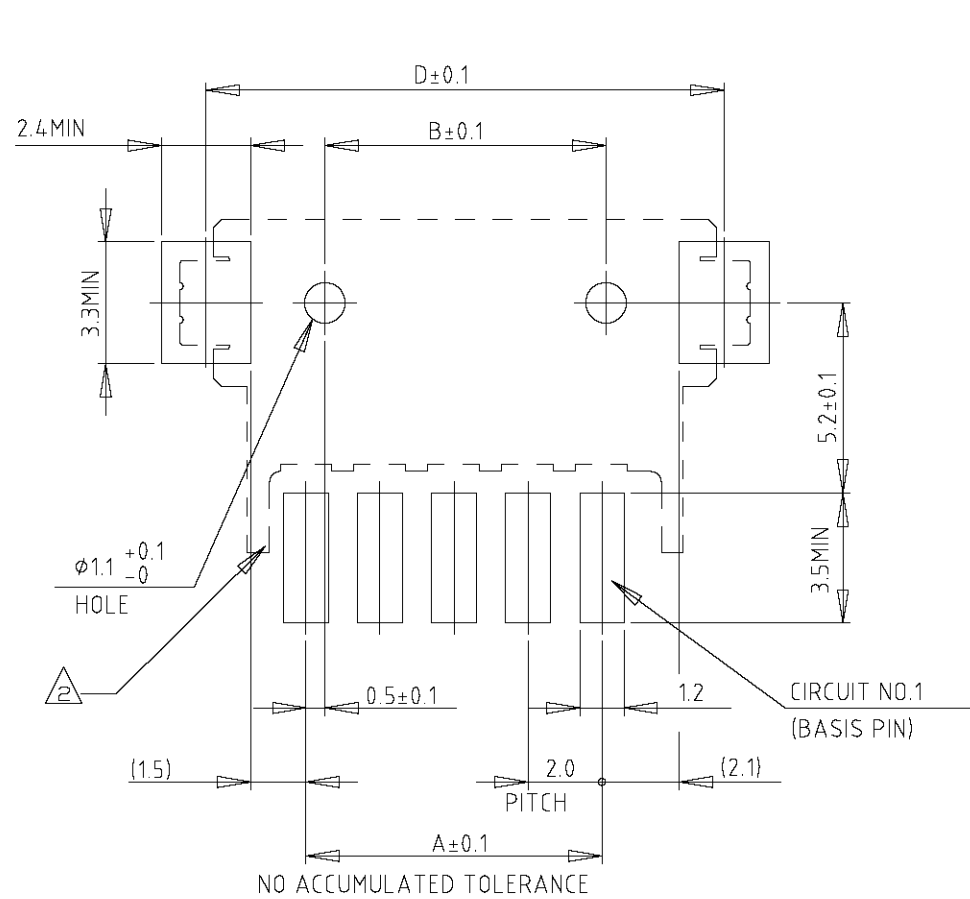
NAME: SMT TYPE POST HDR ASS'Y (H)
 WITH BOSS & TAIL TYPE
 (AMP CT CONN. 2mm PITCH)

SIZE: A3 CAGE CODE: 00779 DRAWING NO: C-292173 RESTRICTED TO: -

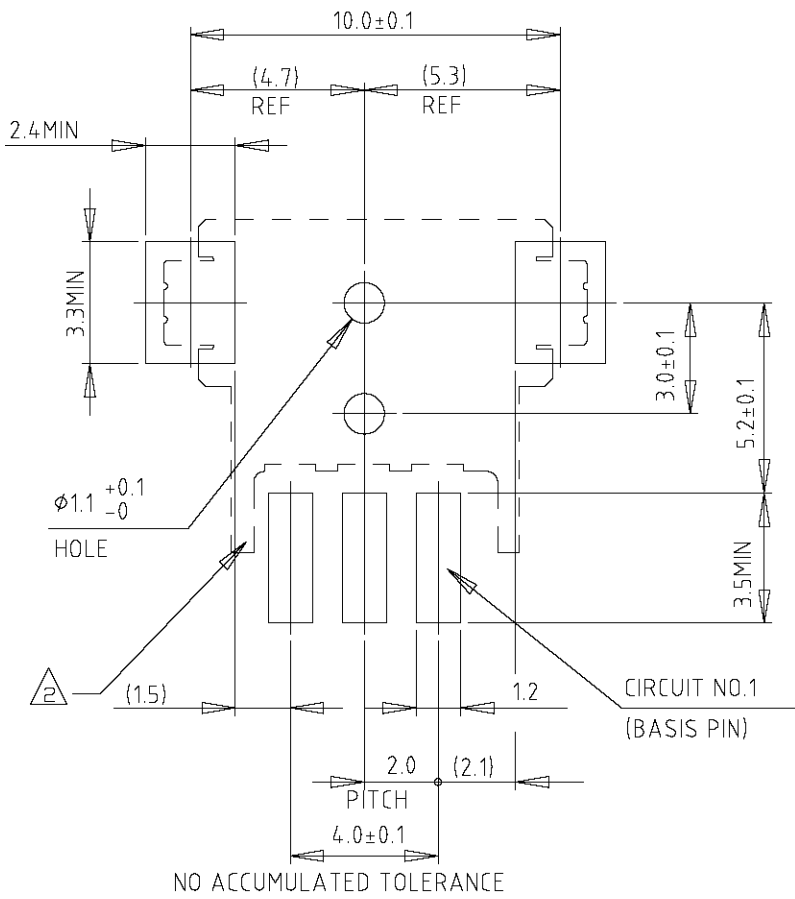
THIS DRAWING IS UNPUBLISHED. RELEASED FOR PUBLICATION
 © COPYRIGHT BY TYCO ELECTRONICS CORPORATION. ALL RIGHTS RESERVED.

LOC	DIST	REVISIONS					
ES	00	P	LTR	DESCRIPTION	DATE	DWN	APVD
		-		SEE SHEET 1	-	-	-

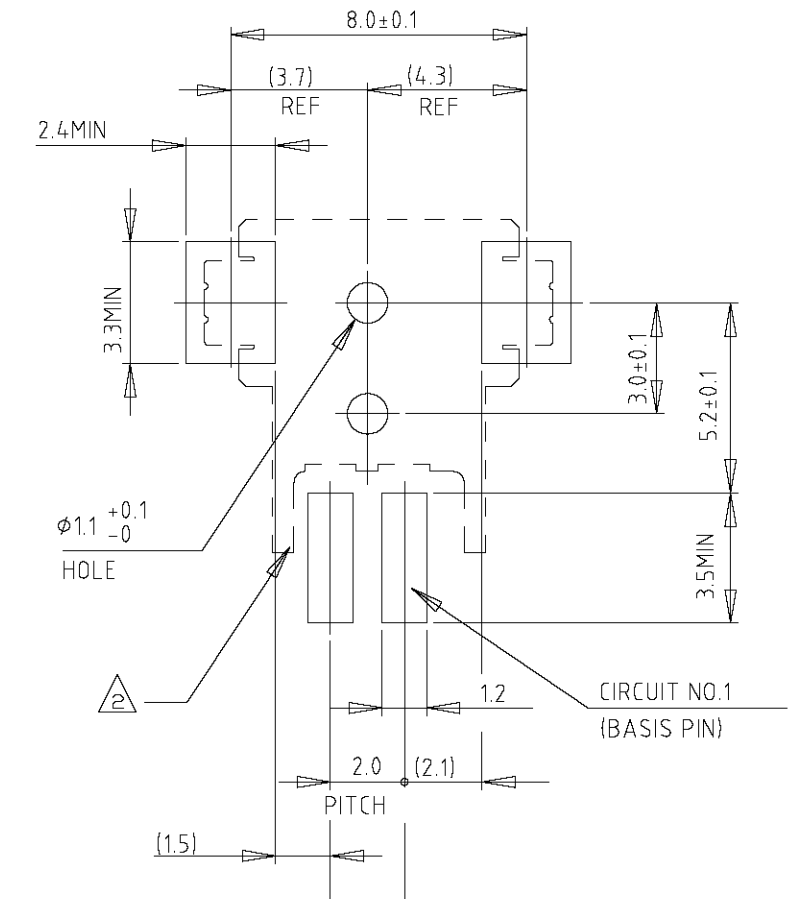
LAYOUT FOR 292173-X,1-292173-X



5 POS. & ABOVE POS.



3 POS.



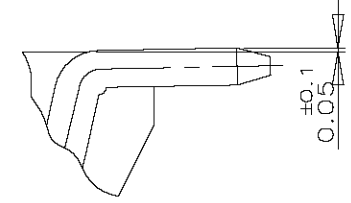
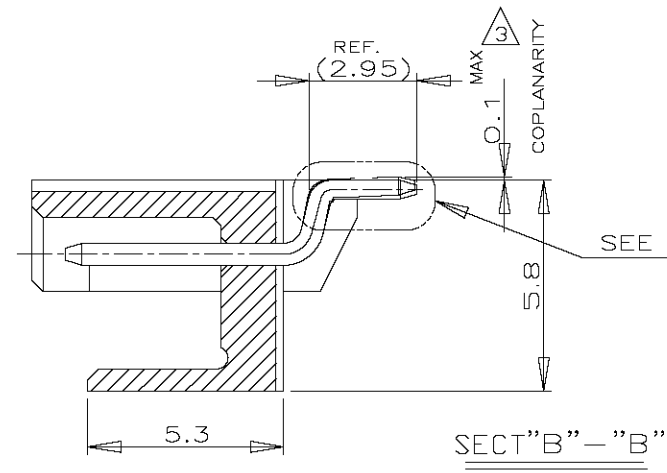
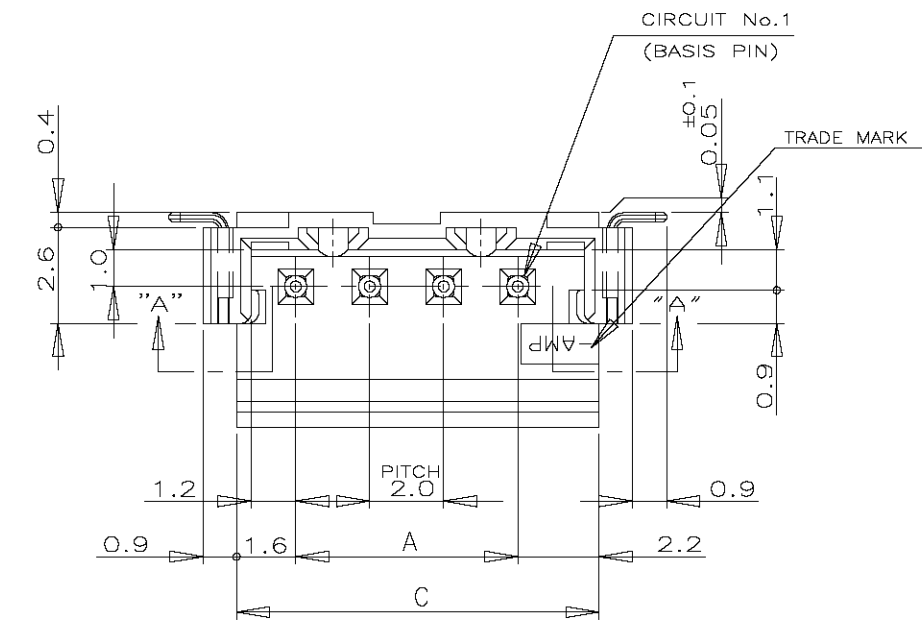
2 POS.

RECOMMENDED P.C. BOARD LAYOUT
 (P.C.B THK:0.8mm MIN)

THIS DRAWING IS A CONTROLLED DOCUMENT.		DWN	tyco Tyco Electronics Corporation		
DIMENSIONS: MM		CHK	SHANGHAI, CHINA, 200233		
TOLERANCES UNLESS OTHERWISE SPECIFIED:		APVD	NAME		
0 PLC ± -		PRODUCT SPEC	SMT TYPE POST HDR ASS'Y (H)		
1 PLC ± -		APPLICATION SPEC	WITH BOSS & TAIL TYPE		
2 PLC ± -		WEIGHT	(AMP CT CONN. 2mm PITCH)		
3 PLC ± -		SIZE	CAGE CODE	DRAWING NO	RESTRICTED TO
4 PLC ± -		A3	00779	©=292173	-
ANGLES ± -		CUSTOMER DRAWING		SCALE	SHEET
FINISH				5:1	4 OF 6
					REV C

THIS DRAWING IS UNPUBLISHED. RELEASED FOR PUBLICATION
 © COPYRIGHT BY TYCO ELECTRONICS CORPORATION. ALL RIGHTS RESERVED.

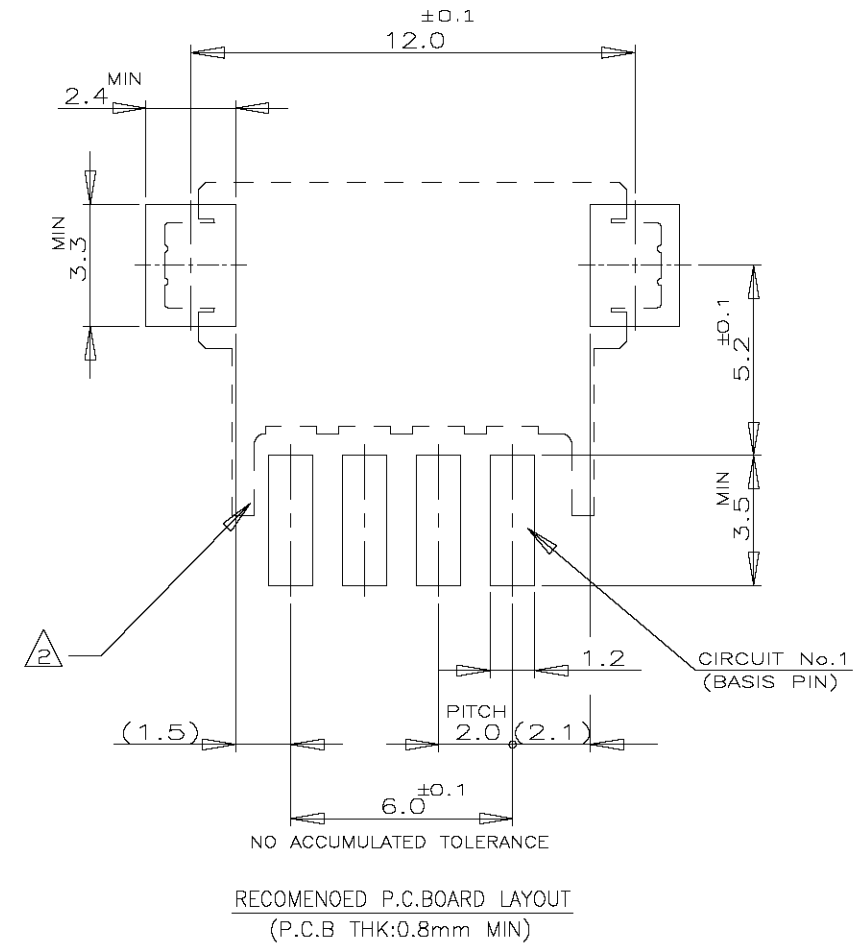
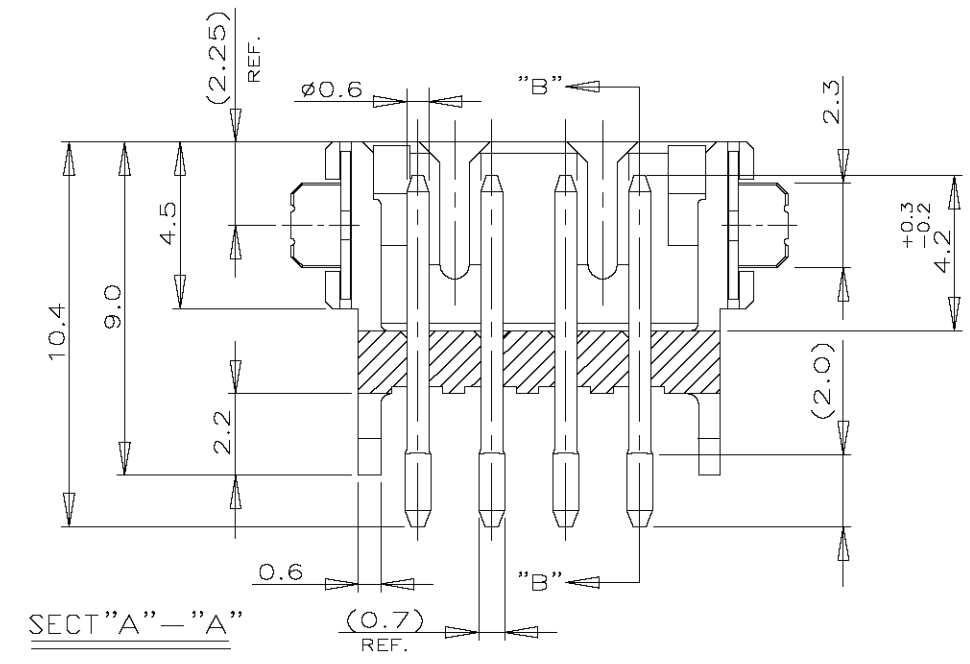
LOC	DIST	REVISIONS					
ES	00	P	LTR	DESCRIPTION	DATE	DWN	APVD
		-	-	SEE SHEET 1	-	-	-



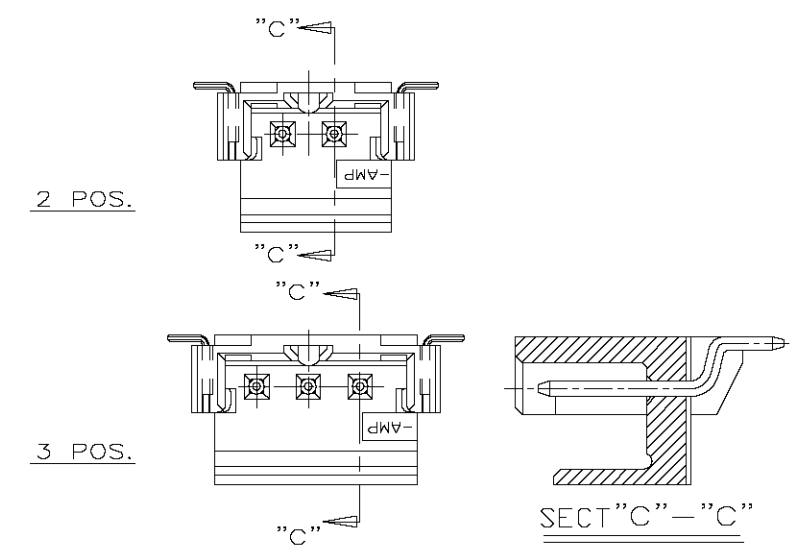
(AS SHOWN :4P)

NOTES;

- MATERIAL : HSG-6T PA(G.F.30%)(UL94V-0)
 COLOR:BLACK,NATURAL
 POST:TIN BRASS
 TAIL: TIN BRASS
- △ OCCUPANT AREA ON PC BOARD
- △ TO BE MEASURED WITH CONNECTOR PLACED ON HORIZONTAL DATUM SURFACE,FLOAT OF SOLDER TINE AND TAIL FROM DATUM SURFACE IS 0.1mm MAX



16.0	19.8	22.0	9	3-292173-9	2-292173-9
14.0	17.8	20.0	8	3- -8	2- -8
12.0	15.8	18.0	7	3- -7	2- -7
10.0	13.8	16.0	6	3- -6	2- -6
8.0	11.8	14.0	5	3- -5	2- -5
6.0	9.8	--	4	3- -4	2- -4
4.0	7.8	--	3	3- -3	2- -3
2.0	5.8	--	2	3-292173-2	2-292173-2
A	C	D	Pos.	NATURAL	BLACK
P/N					



TOLERANCES UNLESS OTHERWISE SPECIFIED:

10**	±0.2
30**>10	±0.25
100**>30	±0.3
ANGEL	±3°

THIS DRAWING IS A CONTROLLED DOCUMENT.

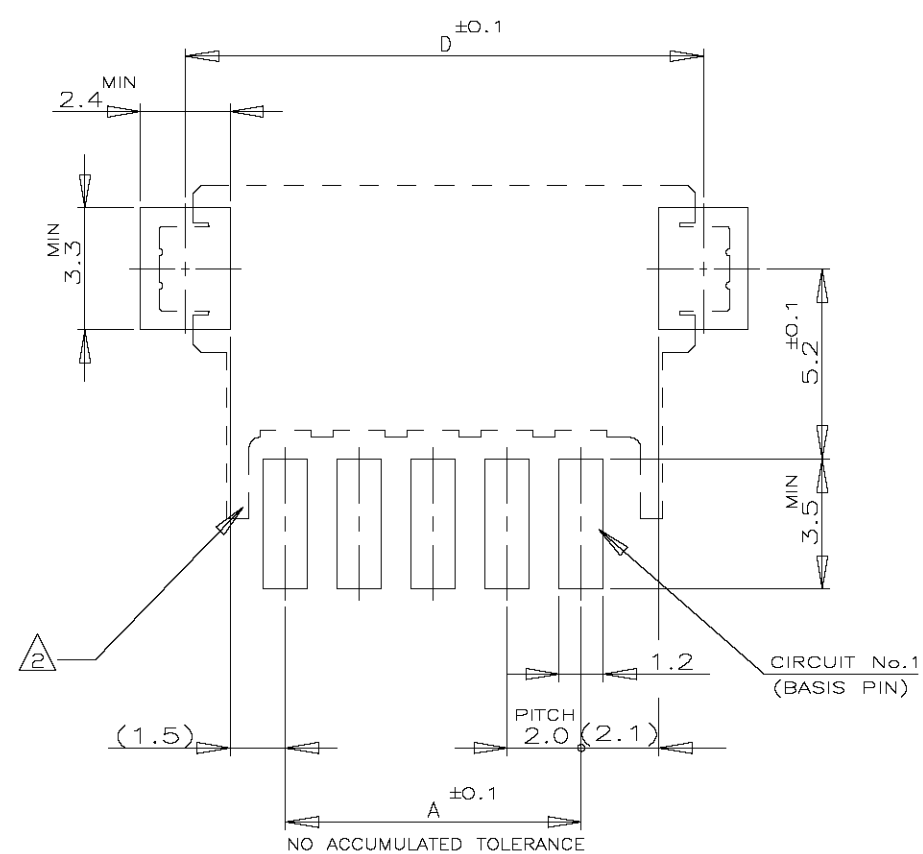
DIMENSIONS: MM	TOLERANCES UNLESS OTHERWISE SPECIFIED:	DWN	---
0 PLC	±	CHK	---
1 PLC	±	APVD	---
2 PLC	±	PRODUCT SPEC	---
3 PLC	±	108-60016	---
4 PLC	±	APPLICATION SPEC	---
ANGLES	±	WEIGHT	---
MATERIAL	FINISH	Tyco Electronics Corporation SHANGHAI, CHINA, 200233	
SEE NOTE	SEE NOTE	NAME SMT TYPE POST HDR ASS'Y (BOX-H) W/O BOSS,WITH TAIL TYPE (AMP CT CONN. 2mm PITCH)	
CUSTOMER DRAWING		SIZE	RESTRICTED TO
		A3	---
		CAGE CODE	---
		00779	---
		DRAWING NO	---
		C-292173	---
SCALE	SHEET	OF	REV
5:1	5	6	C

THIS DRAWING IS UNPUBLISHED. RELEASED FOR PUBLICATION

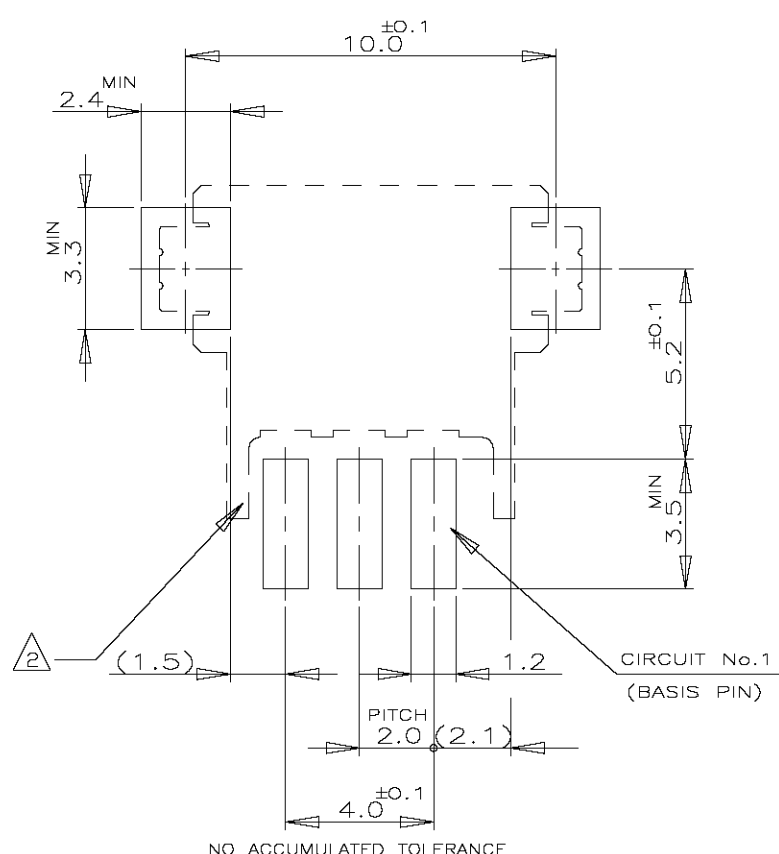
© COPYRIGHT BY TYCO ELECTRONICS CORPORATION. ALL RIGHTS RESERVED.

LOC	DIST	REVISIONS					
ES	00	P	LTR	DESCRIPTION	DATE	DWN	APVD
		-		SEE SHEET 1	-	-	-

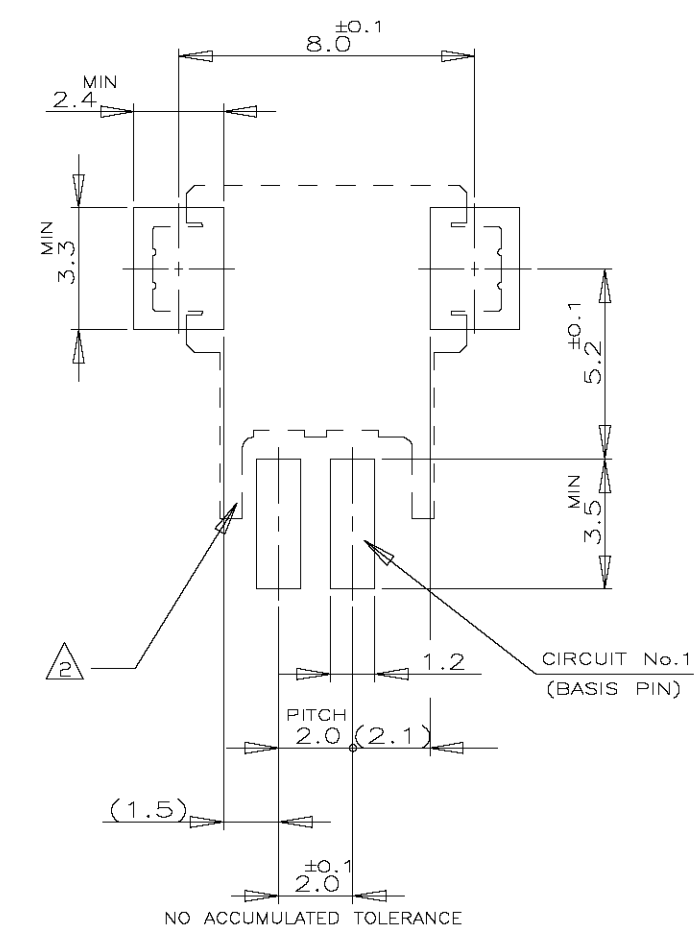
LAYOUT FOR 2-292173-X,3-2-292173-X



5 POS & ABOVE POS



3 POS



2 POS

RECOMENED P.C.BOARD LAYOUT (P.C.B THK:0.8mm MIN)

THIS DRAWING IS A CONTROLLED DOCUMENT.		DWN	06DEC2002	tyco Electronics	Tyco Electronics Corporation	
DIMENSIONS: MM		CHK	-		SHANGHAI, CHINA, 200233	
TOLERANCES UNLESS OTHERWISE SPECIFIED:		APVD	-	NAME		
0 PLC ±		PRODUCT SPEC	-	SMT TYPE POST HDR ASS'Y (H)		
1 PLC ±		APPLICATION SPEC	-	W/O,WITH TAIL TYPE		
2 PLC ±		WEIGHT	-	(AMP CT CONN. 2mm PITCH)		
3 PLC ±		SIZE	A3	CAGE CODE	00779	DRAWING NO
4 PLC ±		CUSTOMER DRAWING	©=292173		RESTRICTED TO	-
ANGLES ±		SCALE	5:1	SHEET	6 OF 6	REV
FINISH						C